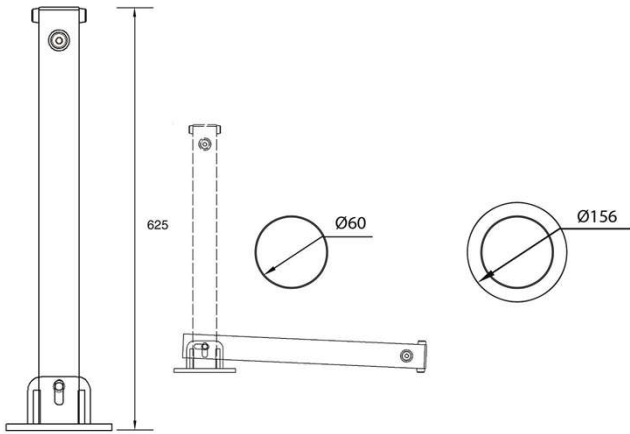


# Fold Down Bollard

- Inbuilt side lock
- Ideal solution for reserving your parking lots
- Prevents unauthorized Parking
- Unique fold down Design
- Convenient lift & Fold down method
- Painted Yellow for High Visibility. SS finishes also available



## Technical Specs – Parking Lot Bollards

Model Name	EPL/FDB/-D-H-F (D=Dia; H=Height; F: Finish)
Diameter	60mm
Height	600mm
Thickness	3 to 5mm
Material	SS304/SS316/Mild Steel
Foundation Depth	Surface Mount
Surface Treatment	Brushed/Polished/Powder coated



**ESCO Pte. Ltd.** (Company No.198902778C)

6 Harper Road, #06-08, Leong Huat Building, Singapore 369674

**Tel:** +65 6744 3100; **Fax:** +65 6745 2898;

Customer Service: +65 6743 3343;

**HP:** +65 9851 7215; **Email:** sanjeev.bhat@esco.com.sg;

**Website:** www.esco.com.sg